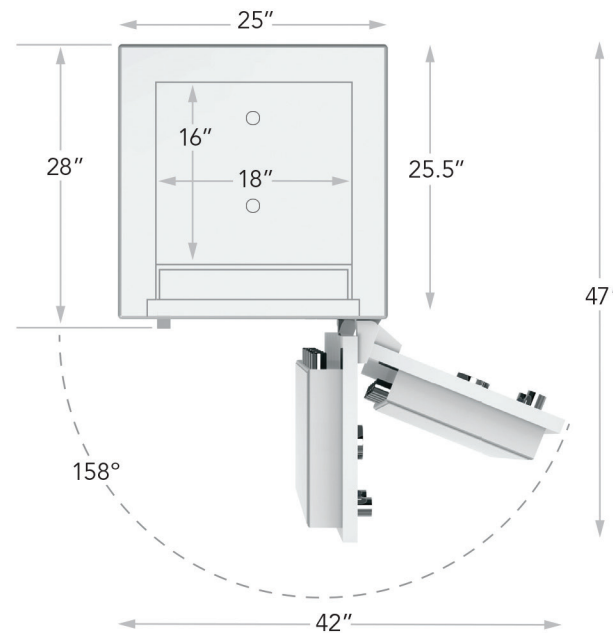


EMERALD TL30 2HR FIRE

LUXURY JEWELRY SAFE

ONE TON NEVER LOOKED SO GOOD

UL Tested Commercial Burglar & 2 Hour Fire Protection



Specifications

Exterior Dimensions: 67" H x 25" W x 28" D

Interior Dimensions: 60" H x 18" W x 16" D

Weight: 2550 lbs.

Two anchor holes in floor

Standard Drawer Configurations

4 Drawers: 3 at 1.5" and 1 at 3.5" / 45" vertical space remaining

7 Drawers: 6 at 1.5" and 1 at 3.5" / 38" vertical space remaining

11 Drawers: 8 at 1.5" and 3 at 3.5" / 25" vertical space remaining

NOTE: Add 2" to ALL exterior dimensions for more reliable installation. Safe door must open more than 90° as illustrated to fully extend drawers. The manufacturer reserves the right to incorporate any improvements, alter any specifications and update products as necessary without prior notice.