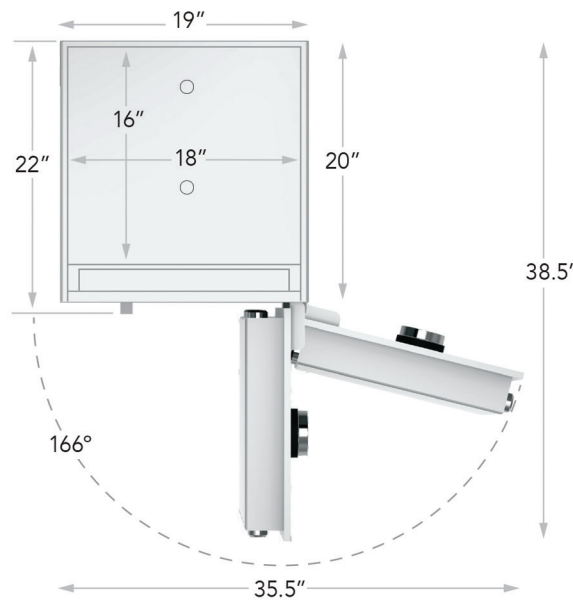
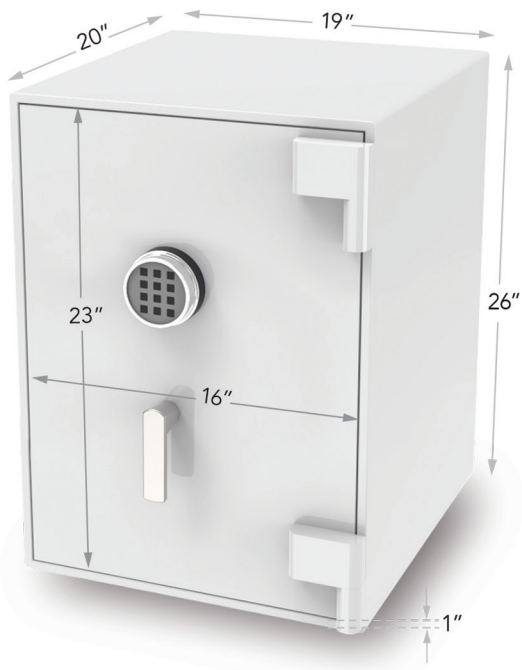


# C21 TL15 STEALTH

## COMMERCIAL SECURITY IN THE TIGHTEST QUARTERS

UL Tested Commercial Burglar Protection



## LUXURY JEWELRY SAFE

### Specifications

Exterior Dimensions: 26" H x 19" W x 22" D

Interior Dimensions: 25" H x 18" W x 16" D

Weight: 480 lbs.

Two anchor holes in floor

### Standard Drawer Configurations

4 Drawers: 3 at 1.5" and 1 at 3.5" / 10" vertical space remaining

7 Drawers: 6 at 1.5" and 1 at 3.5" / 3" vertical space remaining

NOTE: Add 2" to ALL exterior dimensions for more reliable installation. Safe door must open more than 90° as illustrated to fully extend drawers. The manufacturer reserves the right to incorporate any improvements, alter any specifications and update products as necessary without prior notice.