

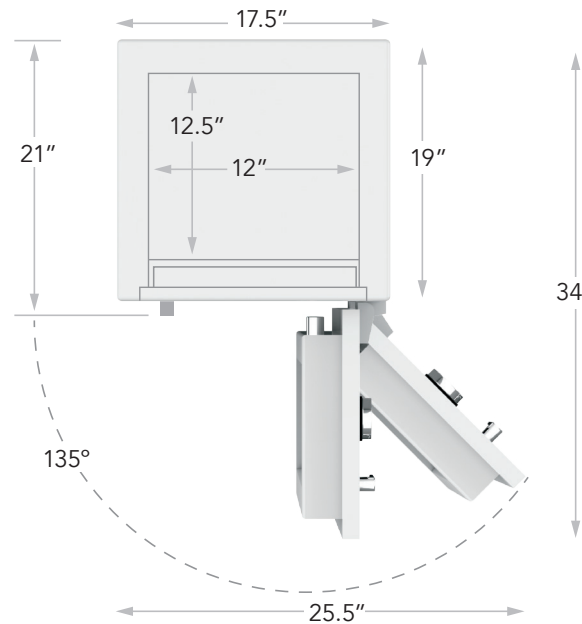
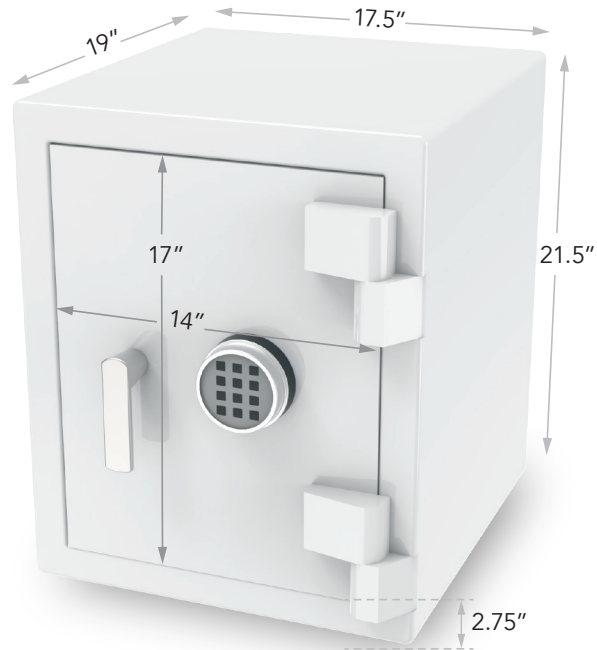
SC15

RSC + FIRE

LUXURY JEWELRY SAFE

Fits in the tightest quarters

UL Tested Residential Burglar & Fire Protection



Specifications

Exterior Dimensions: 21.5" H* x 17.5" W x 21" D

Interior Dimensions: 15" H x 12" W x 12.5" D

Weight: 310 lbs. *Exterior height includes 3/4" rubber feet

Standard Drawer Configurations

2 Drawers: 1 at 1.5" and 1 at 2.5" / 7" vertical space remaining

3 Drawers: 2 at 1.5" and 1 at 2.5" / 4" vertical space remaining

5 Drawers: 4 at 1.5" and 1 at 2.5" / fills the safe

NOTE: Add 1" to ALL exterior dimensions for more reliable installation. Safe door must open more than 90° as illustrated to fully extend drawers. The manufacturer reserves the right to incorporate any improvements, alter any specifications and update products as necessary without prior notice.

PROUDLY MADE IN THE U.S.A.