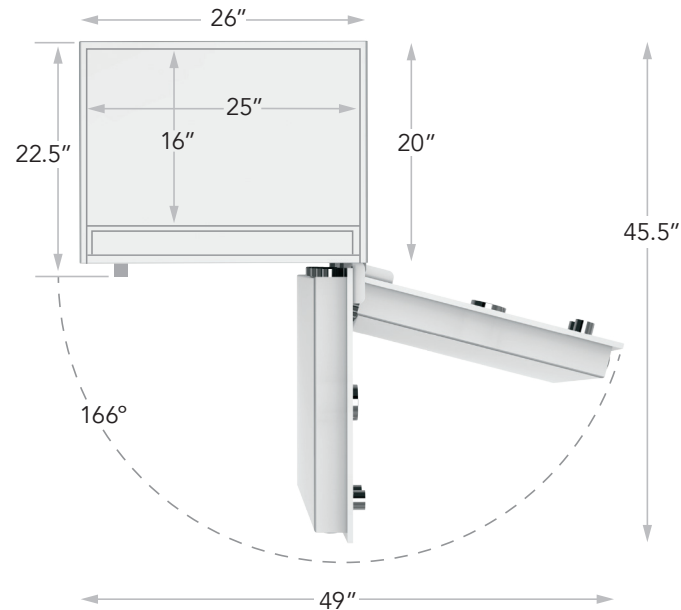


## Maximum security and storage capacity

UL Tested Commercial Burglar Protection



### Specifications

Exterior Dimensions: 61" H x 26" W x 22.5" D

Interior Dimensions: 60" H x 25" W x 16" D

Weight: 990 lbs.

### Standard Drawer Configurations

4 Drawers: 3 at 1.5" and 1 at 3.5" / 45" vertical space remaining

7 Drawers: 6 at 1.5" and 1 at 3.5" / 38" vertical space remaining

11 Drawers: 8 at 1.5" and 3 at 3.5" / 25" vertical space remaining

*NOTE: Add 1" to ALL exterior dimensions for more reliable installation. Safe door must open more than 90° as illustrated to fully extend drawers. The manufacturer reserves the right to incorporate any improvements, alter any specifications and update products as necessary without prior notice.*

PROUDLY MADE IN THE U.S.A.