

KAIROS - K2

TL15 STEALTH

LUXURY SAFE

Commercial security for fine watches & jewelry

UL Tested Commercial Burglar Protection

Specifications

Exterior Dimensions: 61" H x 19" W x 22.5" D

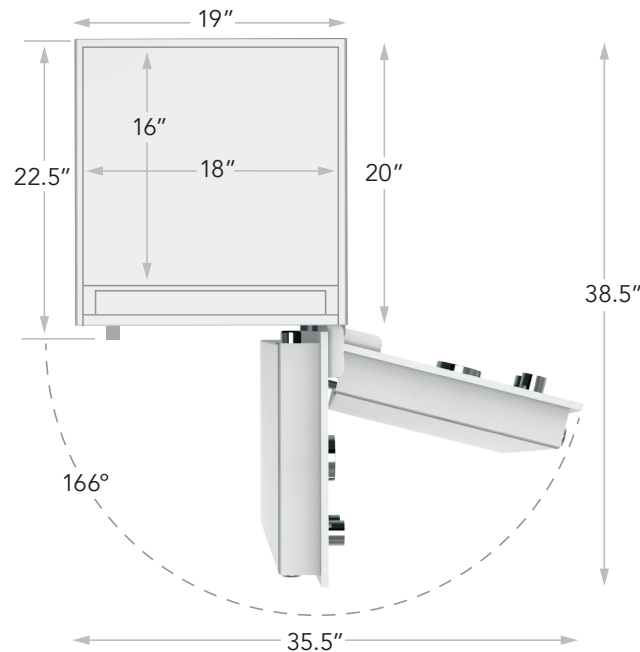
Interior Dimensions: 60" H x 18" W x 16" D

Weight: 880 lbs.

Standard Interior Configurations

16 watch winders, 4 drawers, 18" open space

28 watch winders, 3 drawers, 10" open space



NOTE: Add 1" to ALL exterior dimensions for more reliable installation. Safe door must open more than 90° as illustrated to fully extend drawers. The manufacturer reserves the right to incorporate any improvements, alter any specifications and update products as necessary without prior notice.

PROUDLY MADE IN THE U.S.A.